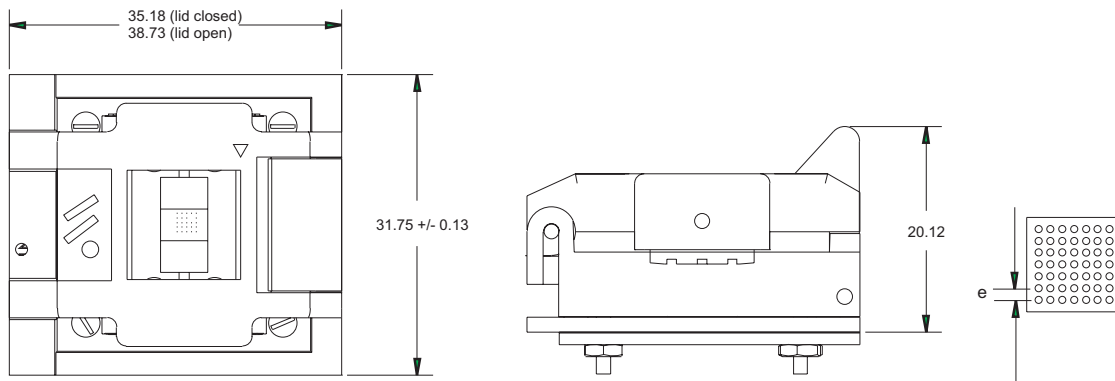
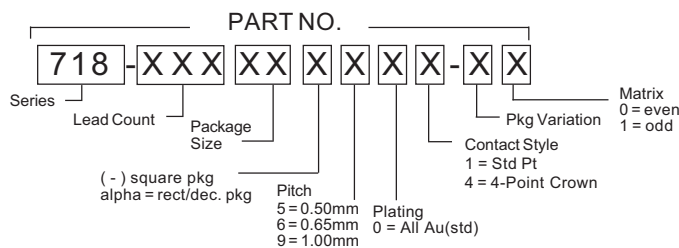


718 Series Clamshell CSP Socket for Microarray Packages

- Clamshell design, Compression surface mount
- Spring and probe contact
- Pointed probe maintains continuous contact to PCB
- Spring loaded pressure pad and locator plate
- 4-Point Crown Solder Balls
- Multi-site options are available



DESCRIPTION & ORDERING INFORMATION



MATERIALS & SPECIFICATIONS

- Socket Body: PEI, PES or Equivalent
- Contact: Beryllium Copper Alloy
- Contact Plating: Gold over Nickel
- Contact Normal Force: 12-15 grams typical
- Contact Resistance: 350 mΩ typical
- Temperature Rating: Burn-in @125°C
- Durability: 10,000 cycles min.



718 Series Clamshell CSP Socket for Microarray Packages

Pitch e (mm)	Lead Count	Package Size (mm)	Matrix	Ball Dia. (mm)	Part Number
0.50	15	2.5 X 2.5	4 X 4	0.25-0.35	718-01502-50X-A0
	16	2 X 2	4 X 4	0.27-0.37	718-01602-50X-A0
	25	2.59 X 2.64	5 X 5	0.27-0.37	718-02502A50X-A1
	40	4 X 4	7 X 7	0.25 min.	718-04004-50X-XX
	40	6.29 X 10.53	4 X 10	0.25 min.	718-04010A50X-XX
	47	4.35 X 4.20	7 X 7	0.25-0.35	718-04704A504-A1
	48	7.06 X 3.25	8 X 6	0.32-0.42	718-04807B504-A0
	56	6 X 6	10 X 10	0.25 min.	718-05606-50X-XX
	56	6 X 6	10 X 10	0.27-0.37	718-05606-504-A0
	56	5 X 5	9 X 9	0.25 min.	718-05605-50X-XX
	57	5 X 5	9 X 9	0.25-0.35	718-05705-504-A1
	64	5 X 5	8 X 8	0.25-0.35	718-06405-504-A0
	64	6 X 6	10 X 10	0.25 min.	718-06406-50X-XX
	72	7 X 7	11 X 11	0.25-0.35	718-07207-504-A1
	80	5 X 5	9 X 9	0.25 min.	718-08005-50X-XX
	80	7 X 7	12 X 12	0.25 min.	718-08007-50X-XX
	81	5 X 5	9 X 9	0.25 min.	718-08105-50X-XX
	84	6 X 6	10 X 10	0.25 min.	718-08406-50X-XX
	84	6.2 X 6.2	10 X 10	0.25 min.	718-08406-50X-XX
	84	7 X 7	12 X 12	0.25 min.	718-08407-50X-XX
	88	6 X 6	11 X 11	0.25-0.35	718-08806-504-A1
	96	6 X 6	11 X 11	0.25 min.	717-09606-50X-XX
	96	6 X 6	11 X 11	0.25-0.35	718-09606-504-A1
	96	8 X 8	14 X 14	0.25 min.	718-09608-50X-XX
	100	6 X 6	10 X 10	0.25 min.	718-10006-50X-XX
	108	7 X 7	12 X 12	0.25 min.	718-10807-50X-XX
	108	8 X 8	14 X 14	0.25 min.	718-10808-50X-XX
	111	6 X 6	11 X 11	0.25-0.35	718-11106-504-A1
	115	7 X 7	12 X 12	0.25 min.	718-11507-50X-XX
	114	8 X 8	14 X 14	0.25 min.	718-14408-50X-XX
	128	8 X 8	13 X 13	0.27-0.37	718-12808-50X-A1
	143	7 X 7	12 X 12	0.25-0.35	718-14307-50X-A0
144	7 X 7	12 X 12	0.25-0.35	718-14407-504-A0	
144	8 X 8	14 X 14	0.27-0.33	718-14408-504-A0	
152	8 X 8	14 X 14	0.25-0.35	718-15208-504-A0	
159	8 X 8	14 X 14	0.26-0.36	718-15908-504-A0	
164	8 X 8	14 X 14	0.25-0.35	718-16408-504-A0	
181	10 X 10	17 X 17	0.27-0.37	718-18110-504-A1	
188	9 X 9	17 X 17	0.25-0.35	718-18809-604-A1	
196	8 X 8	14 X 14	0.28-0.38	718-19608-504-A0	
228	12 X 12	22 X 22	0.25-0.35	718-22812-504-A0	
244	12 X 12	21 X 21	0.25-0.35	718-22412-504-A1	
289	9 X 9	17 X 17	0.28-0.38	718-28909-504-A1	
300	13 X 13	22 X 22	0.25-0.35	718-30013-504-A0	
324	12 X 12	22 X 22	0.25-0.35	718-32412-504-A0	
0.65	49	5 X 5	7 X 7	0.28-0.38	718-04905-604-A1
	121	8 X 8	11 X 11	0.28-0.38	718-12108-604-A1
	280	13 X 13	19 X 19	0.25-0.35	718-28013-604-A1
1.00	16	4 X 4	4 X 4	0.45-0.55	718-01604-904-A1
	26	8.46 X 6.27	6 X 5	0.33-0.43	718-02608A904-A1