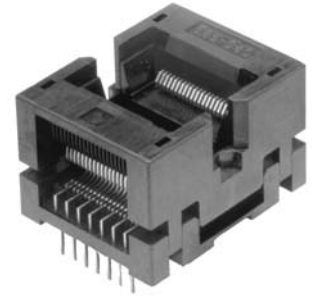
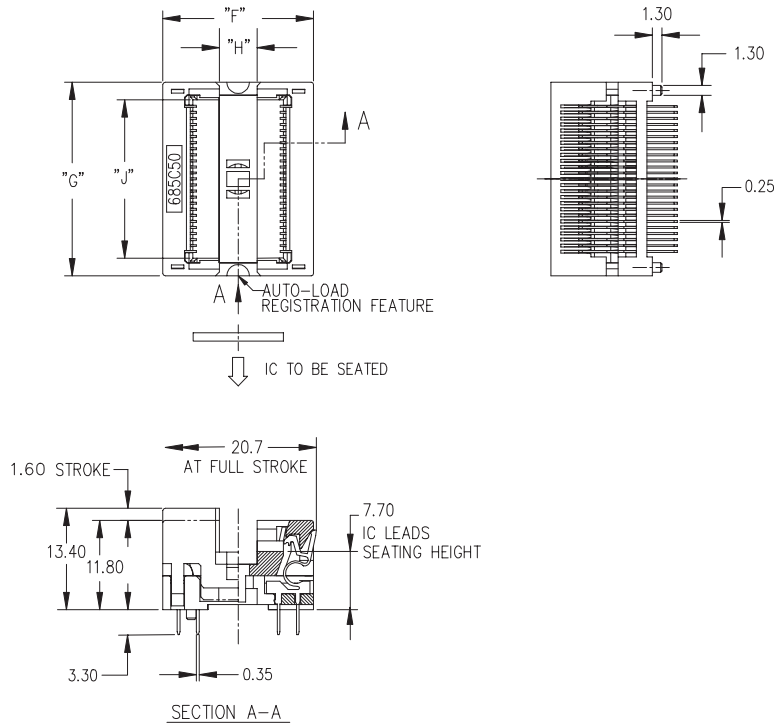


685 Series SON CSP Socket

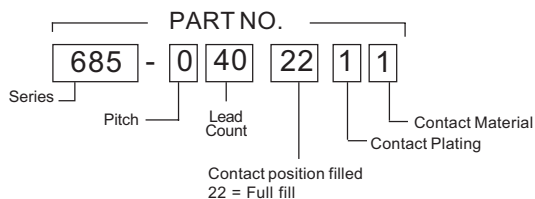
- For Small Outline No lead packages
- Open top, Zero Insertion Force design for automatic loading
- Highly reliable contact design with wiping action
- Designed for 0.50mm pitch packages



Part Number: 685-0402211



DESCRIPTION & ORDERING INFORMATION



MATERIALS & SPECIFICATIONS

- Socket Body: PEI, PES, LCP or Equivalent
- Contact: Beryllium Copper Alloy
- Contact Plating: Gold over Nickel
- Contact Normal Force: 35 grams
- Contact Resistance: 50 mΩ
- Dielectric: 600V AC for 1 minute
- Temperature Rating: 150°C
- Insulation Resistance: 5,000 MΩ @ 500V DC
- Durability: 10,000 cycles min.