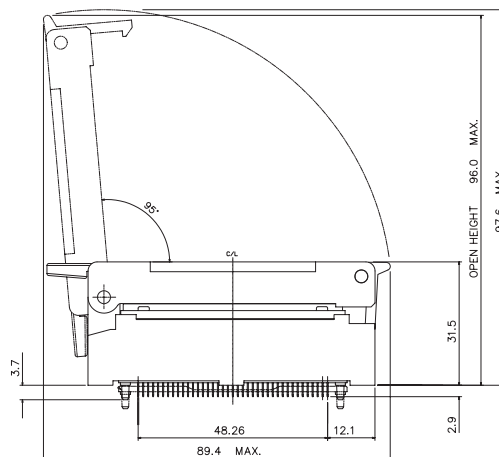
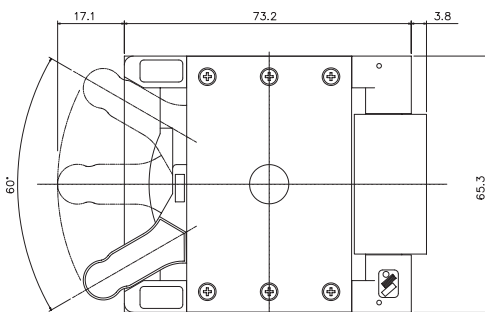
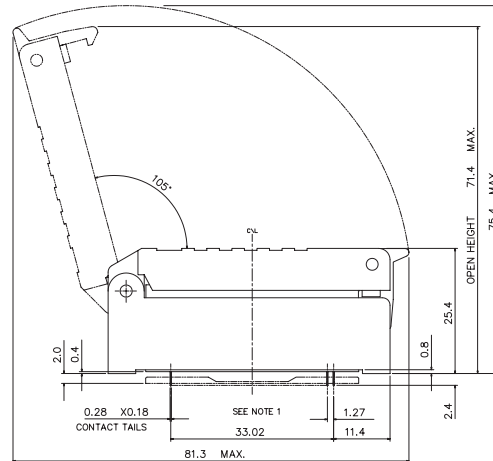
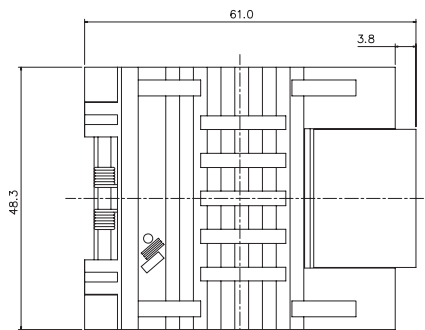
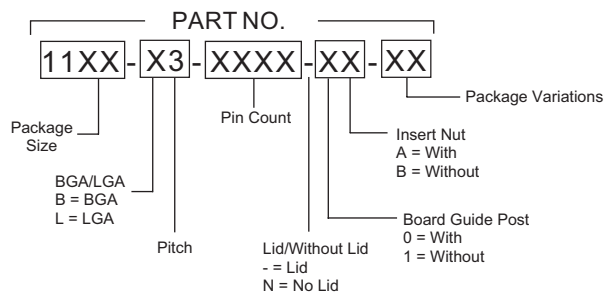


## 1100-3 Series 1.27mm Pitch Lidded BGA/LGA

- Clamshell design
- Through hole contact tails
- Board mounting features
- Low normal force
- 10:1 Mechanical advantage lid for high ball count packages available
- Low profile lids available



### DESCRIPTION & ORDERING INFORMATION



### MATERIALS & SPECIFICATIONS

- Socket Body and Lid: PES and LCP
- Contact: BeCu, Gold over Nickel Plated
- Metal Components: Stainless Steel
- Contact Force: 30 grams to 50 grams
- Dielectric Withstanding Voltage: 1000V RMS
- Current Carrying Capability: 1.0A
- Insulation Resistance: > 1000 mΩ at 500V DC
- Temperature Rating: -55°C to +150°C
- Durability: 5,000 cycles (1 cycle - 1 load and 1 unload)



### 1100-3 Series 1.27mm Pitch Lidded BGA/LGA

Pitch e (mm)	Lead Count	Package Size	Matrix	Ball Dia. (mm)	Part Number	Socket Dimensions (mm)	
						Length (A)	Width (B)
1.27	24	10.16X11.94	6X8	0.68 - 0.90	1111-B3-0024-1B-10	42.6	31.0
	34	14X10.2	8X11	0.635	1112-B3-0034-1B-10	42.6	31.0
	44	10.16X10.16	8X8	0.68 - 0.90	1110-B3-0044-1B-10	42.6	31.0
	121	15X15	11X11	0.5 +/- 0.05	1115-B3-0121-1B-00	42.6	31.0
	176	23X23	15X15	0.68 - 0.90	1123-B3-0176-1B-00	42.6	31.0
	225	23X23	15X15	0.68 - 0.90	1123-B3-0225-1B-00	42.6	31.0
	62	23X23	15X15	0.68 - 0.90	1123-L3-0062-1B-00	61.0	48.3
	84	23X23	15X15	0.68 - 0.90	1123-L3-0084-1B-00	61.0	48.3
	156	21X21	16X16	0.68 - 0.90	1121-B3-0156-1B-00	61.0	48.3
	156	21X21	16X16	0.68 - 0.90	1121-B3-0156-0B-00	61.0	48.3
	208	23X23	17X17	0.68 - 0.90	1123-B3-0208-0B-00	61.0	48.3
	208	23X23	17X17	0.68 - 0.90	1123-B3-0208-1B-00	61.0	48.3
	208	23X23	17X17	0.68 - 0.90	1123-B3-0208-0B-01	61.0	48.3
	208	23X23	17X17	0.68 - 0.90	1123-B3-0208-0B-02	61.0	48.3
	208	23x23	17x17	0.68 - 0.90	1123-B3-0208-1B-01	61.0	48.3
	208	23x23	17x17	0.75 +/- 0.15	1123-B3-0208-0B-03	61.0	48.3
	228	21X21	16X16	0.68 - 0.90	1121-B3-0228-1B-00	61.0	48.3
	256	27X27	20X20	0.68 - 0.90	1127-B3-0256-1B-00	61.0	48.3
	256	23X23	16X16	0.75	1123-B3-0256-1B-00	61.0	48.3
	256	27X27	20X20	0.68 - 0.90	1127-B3-0256-0A-00	61.0	48.3
	256	27X27	20X20	0.68 - 0.90	1127-B3-0256-1B-01	61.0	48.3
	256	27X27	20X20	0.68 - 0.90	1127-B3-0256-0B-00	61.0	48.3
	256	27X27	20X20	0.76	1127-B3-0256-0A-01	61.0	48.3
	256	27X27	20X20	0.68 - 0.90	1127-B3-0256-1B-02	61.0	48.3
	256	27X27	20X20	0.76 +/- 0.15	1127-B3-0256-0A-02	61.0	48.3
	256	27X27	20X20	0.8	1127-B3-0256-0B-01	61.0	48.3
	256	23X23	16X16	0.68 - 0.90	1123-B3-0256-1B-01	61.0	48.3
	256	21X21	16X16	0.68 - 0.90	1121-B3-0256-1B-00	61.0	48.3
	256	23X23	16X16	0.9	1123-L3-0256-0B-00	61.0	48.3
	256	30X30	23X23	0.68 - 0.90	1130-B3-0256-1B-00	61.0	48.3
	256	30X30	23X23	0.68 - 0.90	1130-B3-0256-0B-00	61.0	48.3
	272	27X27	20X20	0.68 - 0.90	1127-B3-0272-1B-00	61.0	48.3
	292	27X27	20X20	0.68 - 0.90	1127-B3-0292-1B-00	61.0	48.3
	300	25X25	19X19	0.9	1125-B3-0300-1B-00	61.0	48.3
	304	31X31	23X23	0.68 - 0.90	1131-B3-0304-0A-00	61.0	48.3
	304	31X31	23X23	0.68 - 0.90	1131-B3-0304-1B-00	61.0	48.3
	304	31X31	23X23	0.75	1131-B3-0304-0A-01	61.0	48.3
	380	27X27	20X20	0.68 - 0.90	1127-B3-0380-1B-00	61.0	48.3
	313	35X35	25X25	0.68 - 0.90	1135-B3-0313-1B-00	61.0	48.3
	313	35X35	25X25	0.68 - 0.90	1135-B3-0313-1B-01	61.0	48.3
324	27X27	20X20	0.68 - 0.90	1127-B3-0324-1B-00	61.0	48.3	
336	27X27	20X20	0.68 - 0.90	1127-B3-0336-1B-00	61.0	48.3	
352	35X35	26X26	0.68 - 0.90	1135-B3-0352-1B-00	61.0	48.3	
352	35X35	26X26	0.68 - 0.90	1135-B3-0352-0B-00	61.0	48.3	
352	35X35	26X26	0.68 - 0.90	1135-B3-0352-0B-01	61.0	48.3	
357	25x25	19x19	0.68 - 0.90	1125-B3-0357-0B-00	61.0	48.3	
357	25X25	19X19	0.68 - 0.90	1125-B3-0357-1B-00	61.0	48.3	
361	24.76X24.76	19X19	0.68 - 0.90	1124-B3-0361-1B-10	61.0	48.3	

Continued on next page



### 1100-3 Series 1.27mm Pitch Lidded BGA

Pitch e (mm)	Lead Count	Package Size	Matrix	Ball Dia. (mm)	Part Number	Socket Dimensions (mm)	
						Length (A)	Width (B)
1.27	361	25X25	19X19	0.68 - 0.90	1125-L3-0361-1B-00	61.0	48.3
	380	31X31	24X24	0.75	1131-B3-0380-0A-00	61.0	48.3
	388	35X35	26X26	0.68 - 0.90	1135-B3-0388-1B-00	61.0	48.3
	388	35X35	26X26	0.68 - 0.90	1135-B3-0388-0A-00	61.0	48.3
	400	27X27	20X20	0.68 - 0.90	1127-B3-0400-1B-00	61.0	48.3
	436	35X35	26X26	0.68 - 0.90	1135-B3-0436-1B-00	61.0	48.3
	456	35X35	26X26	0.68 - 0.90	1135-B3-0456-1B-00	61.0	48.3
	456	35X35	26X26	0.68 - 0.90	1135-B3-0456-0B-00	61.0	48.3
	456	35X35	26X26	0.68 - 0.90	1135-B3-0456-1B-01	61.0	48.3
	676	35X35	26X26	0.68 - 0.90	1135-B3-0676-1B-00	61.0	48.3
	208	23X23	17X17	0.68 - 0.90	1123-B3-0208-1B-00	62.1	48.3
	256	27X27	20X20	0.68 - 0.90	1127-B3-0256-0A-01	62.1	48.3
	256	27X27	20X20	0.68 - 0.90	1127-B3-0256-0A-00	62.1	48.3
	256	23X23	16X16	0.75 +/- 0.1	1123-B3-0256-0A-00	62.1	48.3
	272	27X27	20X20	0.68 - 0.90	1127-B3-0272-0A-00	62.1	48.3
	292	27X27	18X18	0.75	1127-B3-0292-0A-00	62.1	48.3
	304	31X31	23X23	0.68 - 0.90	1131-B3-0304-1B-00	62.1	48.3
	357	25X25	19X19	0.75 +/- 0.1	1125-B3-0357-0A-00	62.1	48.3
	360	25X25	19X19	0.86 +/- 0.05	1125-L3-0360-0A-00	62.1	48.3
	365	31X31	23X23	0.68 - 0.90	1131-B3-0365-0A-00	62.1	48.3
	380	27X27	20X20	0.68 - 0.90	1127-B3-0380-0A-00	62.1	48.3
	388	35X35	26X26	0.75 +/- 0.05	1135-B3-0388-0A-00	62.1	48.3
	420	35X35	26X26	0.75	1135-B3-0420-0A-00	62.1	48.3
	456	35X35	26X26	0.68 - 0.90	1135-B3-0456-0A-00	62.1	48.3
	717	35X35	27X27	0.86 +/- 0.13	1135-L3-0717-0A-00	62.1	48.3
	217	23X23	17X17	0.68 - 0.90	1123-B3-0217-1B-00	71.9	48.3
	217	23X23	17X17	0.68 - 0.90	1123-B3-0217-0A-00	71.9	48.3
	217	23X23	17X17	0.68 - 0.90	1123-B3-0217-0A-01	71.9	48.3
	217	23X23	17X17	0.68 - 0.90	1123-B3-0217-0A-02	71.9	48.3
	240	25X25	19X19	0.75	1125-B3-0240-0A-00	71.9	48.3
	255	21X21	16X16	0.68 - 0.90	1121-B3-0255-1B-00	71.9	48.3
	256	27X27	20X20	0.68 - 0.90	1127-B3-0256-1B-00	71.9	48.3
	256	27X27	20X20	0.68 - 0.90	1127-B3-0256-1B-01	71.9	48.3
	256	27X27	20X20	0.68 - 0.90	1127-B3-0256-1B-02	71.9	48.3
	256	27X27	20X20	0.68 - 0.90	1127-B3-0256-1B-03	71.9	48.3
	256	21X21	16X16	0.68 - 0.90	1121-B3-0256-1B-00	71.9	48.3
	256	30X30	23X23	0.68 - 0.90	1130-B3-0256-1B-00	71.9	48.3
	272	27X27	20X20	0.68 - 0.90	1127-B3-0272-1B-00	71.9	48.3
	272	27X27	20X20	0.75	1127-B3-0272-0A-00	71.9	48.3
	272	27X27	20X20	0.75	1127-B3-0272-0A-01	71.9	48.3
	272	27X27	20X20	0.75	1127-B3-0272-0A-02	71.9	48.3
	280	25X25	19X19	0.68 - 0.90	1125-B3-0280-0A-00	71.9	48.3
	292	27X27	20X20	0.68 - 0.90	1127-B3-0292-1B-00	71.9	48.3
	292	27X27	20X20	0.75	1127-B3-0292-1B-01	71.9	48.3
	292	27X27	20X20	0.68 - 0.90	1127-B3-0292-1B-02	71.9	48.3
303	20.95X24.70	16X19	0.68 - 0.90	1124-B3-0303-1B-10	71.9	48.3	
313	35X35	25X25	0.68 - 0.90	1135-B3-0313-1B-00	71.9	48.3	
313	35X35	25X25	0.75	1135-B3-0313-0A-00	71.9	48.3	
316	27X27	20X20	0.7	1127-B3-0316-0A-00	71.9	48.3	
324	27x27	20x20	0.68 - 0.90	1127-B3-0324-1B-00	71.9	48.3	
339	31x31	22x22	0.68 - 0.90	1131-B3-0339-1B-00	71.9	48.3	

Continued on next page



## 1100-3 Series 1.27mm Pitch Lidded BGA/LGA

Pitch e (mm)	Lead Count	Package Size	Matrix	Ball Dia. (mm)	Part Number	Socket Dimensions (mm)	
						Length (A)	Width (B)
1.27	352	35x35	26x26	0.75	1135-B3-0352-1B-00	71.9	48.3
	352	35x35	26x26	0.75	1135-B3-0352-1B-01	71.9	48.3
	352	35x35	26x26	0.68 - 0.90	1135-B3-0352-0A-00	71.9	48.3
	352	35x35	26x26	0.75 +/- 0.15	1135-B3-0352-0A-01	71.9	48.3
	352	35x35	26x26	0.75 +/- 0.1	1135-B3-0352-0A-02	71.9	48.3
	352	35x35	26x26	0.75	1135-B3-0352-0A-03	71.9	48.3
	356	35x35	26x26	0.68 - 0.90	1135-B3-0356-0A-00	71.9	48.3
	356	35x35	26x26	0.68 - 0.90	1135-B3-0356-1B-00	71.9	48.3
	357	25x25	19x19	0.68 - 0.90	1125-B3-0357-1B-00	71.9	48.3
	357	25x25	19x19	0.68 - 0.90	1125-B3-0357-1B-01	71.9	48.3
	360	25x25	19x19	0.68 - 0.90	1125-B3-0360-1B-00	71.9	48.3
	360	25x25	19x19	0.68 - 0.90	1125-L3-0360-1B-00	71.9	48.3
	360	25x25	19x19	0.68 - 0.90	1125-B3-0360-1B-01	71.9	48.3
	360	25x25	19x19	0.75	1125-B3-0360-0B-00	71.9	48.3
	360	31x31	23x23	0.75	1131-B3-0360-0B-00	71.9	48.3
	372	27x27	20x20	0.76	1127-B3-0372-0B-00	71.9	48.3
	379	33x33	24x24	0.68 - 0.90	1133-B3-0379-0A-00	71.9	48.3
	385	31x31	23x23	0.68 - 0.90	1131-B3-0385-0B-00	71.9	48.3
	388	35x35	26x26	0.68 - 0.90	1135-B3-0388-1B-00	71.9	48.3
	388	35x35	26x26	0.68 - 0.90	1135-B3-0388-1B-01	71.9	48.3
	388	35x35	26x26	0.68 - 0.90	1135-B3-0388-0A-00	71.9	48.3
	388	35x35	26x26	0.68 - 0.90	1135-B3-0388-0B-00	71.9	48.3
	388	35x35	26x26	0.68 - 0.90	1135-B3-0388-0B-01	71.9	48.3
	420	35x35	26x26	0.76 +/- 0.15	1135-B3-0420-0B-00	71.9	48.3
	436	35x35	26x26	0.68 - 0.90	1135-B3-0436-1B-00	71.9	48.3
	456	35x35	26x26	0.68 - 0.90	1135-B3-0456-0B-00	71.9	48.3
	456	35x35	26x26	0.76 +/- 0.14/0.16	1135-B3-0456-0A-00	71.9	48.3
	456	35x35	26x26	0.68 - 0.90	1135-B3-0456-0B-01	71.9	48.3
	456	35x35	26x26	0.68 - 0.90	1135-B3-0456-0B-02	71.9	48.3
	484	35x35	26x26	0.75	1135-B3-0484-0A-00	71.9	48.3
	492	35x35	26x26	0.68 - 0.90	1135-B3-0492-1B-00	71.9	48.3
	492	35x35	26x26	0.68 - 0.90	1135-B3-0492-0A-00	71.9	48.3
	492	35x35	26x26	0.68 - 0.90	1135-B3-0492-0A-01	71.9	48.3
	504	35x35	27x27	0.68 - 0.90	1135-B3-0504-1B-00	71.9	48.3
	528	35x35	26x26	0.68 - 0.90	1135-B3-0528-1B-00	71.9	48.3
	676	35x35	26x26	0.75 +/- 0.05	1135-B3-0676-1B-00	71.9	48.3
	728	35x35	27x27	0.75 +/- 0.15	1135-B3-0728-1B-00	71.9	48.3
	729	35x35	27x27	0.75 +/- 0.15	1135-B3-0729-1B-00	71.9	48.3
	352	35x35	26x26	0.68 - 0.90	1135-L3-0352-0A-00	94.0	65.3
	360	25x25	19x19	0.81 - 0.91	1125-B3-0360-0A-00	90.4	65.3
	400	37.5x37.5	29x29	0.75	1137-B3-0400-0A-10	94.0	65.3
	432	40x40	31x31	0.68 - 0.90	1140-B3-0432-0B-00	94.0	65.3
	432	40x40	31x31	0.68 - 0.90	1140-B3-0432-0A-00	94.0	65.3
	432	40x40	31x31	0.68 - 0.90	1140-B3-0432-0A-01	94.0	65.3
	480	37.5x37.5	29x29	0.75	1137-B3-0480-1A-10	94.0	65.3
480	37.5x37.5	29x29	0.75 +/- 0.1	1137-B3-0480-0A-10	94.0	65.3	
480	37.5x37.5	29x29	0.75	1137-B3-0480-0A-11	94.0	65.3	
481	37.5x37.5	27x27	0.76 +/- 0.15	1137-B3-0481-0A-10	90.4	65.3	
482	37.5x37.5	27x27	0.76 +/- 0.15	1137-B3-0482-0A-10	90.4	65.3	
503	37.5x37.5	27x27	0.68 - 0.90	1137-B3-0503-0A-10	94.0	65.3	
503	40x40	29x29	0.75	1140-B3-0503-0A-00	94.0	65.3	

Continued on next page



## 1100-3 Series 1.27mm Pitch Lidded BGA/LGA

Pitch e (mm)	Lead Count	Package Size	Matrix	Ball Dia. (mm)	Part Number	Socket Dimensions (mm)	
						Length (A)	Width (B)
1.27	504	40x40	29x29	0.68 - 0.90	1140-B3-0504-0A-00	94.0	65.3
	528	40x40	30x30	0.75	1140-B3-0528-0A-00	94.0	65.3
	551	40x40	29x29	0.68 - 0.90	1140-B3-0551-0A-00	94.0	65.3
	560	42.5x42.5	33x33	0.68 - 0.90	1142-B3-0560-1A-10	94.0	65.3
	560	42.5x42.5	33x33	0.68 - 0.90	1142-B3-0560-0A-10	94.0	65.3
	560	42.5x42.5	33x33	0.68 - 0.90	1142-B3-0560-1A-11	94.0	65.3
	560	42.5x42.5	33x33	0.68 - 0.90	1142-B3-0560-0A-11	94.0	65.3
	565	37.5x37.5	29x29	0.68 - 0.90	1137-B3-0565-1A-10	94.0	65.3
	569	40x40	31x31	0.75	1140-B3-0569-0A-00	94.0	65.3
	589	37.5x37.5	29x29	0.68 - 0.90	1137-B3-0589-1A-10	94.0	65.3
	596	40x40	30x30	0.68 - 0.90	1140-B3-0596-0A-00	94.0	65.3
	596	40x40	30x30	0.68 - 0.90	1140-B3-0596-0A-01	94.0	65.3
	596	40x40	30x30	0.68 - 0.90	1140-B3-0596-0A-02	94.0	65.3
	600	45x45	35x35	0.68 - 0.90	1145-B3-0600-0A-00	94.0	65.3
	600	42.5x42.5	31x31	0.68 - 0.90	1142-B3-0600-0A-10	94.0	65.3
	647	45x45	33x33	0.68 - 0.90	1145-B3-0647-0A-00	94.0	65.3
	652	45x45	35x35	0.75 +/- 0.14	1145-B3-0652-0A-00	94.0	65.3
	655	45x45	34x34	0.68 - 0.90	1145-B3-0655-0A-00	94.0	65.3
	656	40x40	30x30	0.75 +/- 0.15	1140-B3-0656-1B-00	90.4	65.3
	656	40x40	30x30	0.75 +/- 0.15	1140-B3-0656-1B-01	90.4	65.3
	672	45x45	34x34	0.75	1145-B3-0672-0A-00	94.0	65.3
	713	40x40	31x31	0.76 +/- 0.16	1140-B3-0713-0A-00	94.0	65.3
	713	45x45	34x34	0.75	1145-B3-0713-0A-00	94.0	65.3
	769	42.5x42.5	33x33	0.76	1142-B3-0769-0A-10	90.4	65.3
	838	37.5x37.5	29x29	0.68 - 0.90	1137-B3-0838-0A-10	90.4	65.3
	838	37.5x37.5	29x29	0.68 - 0.90	1137-B3-0838-0A-11	90.4	65.3
	838	37.5x37.5	29x29	0.68 - 0.90	1137-B3-0838-0A-12	90.4	65.3
	838	37.5x37.5	29x29	0.68 - 0.90	1137-B3-0838-0A-13	90.4	65.3
	841	37.5x37.5	29x29	0.68 - 0.90	1137-B3-0841-1A-10	90.4	65.3
	949	40x40	31x31	0.68 - 0.90	1140-B3-0949-0A-00	90.4	65.3
957	40x40	31x31	0.68 - 0.90	1140-B3-0957-0A-00	90.4	65.3	