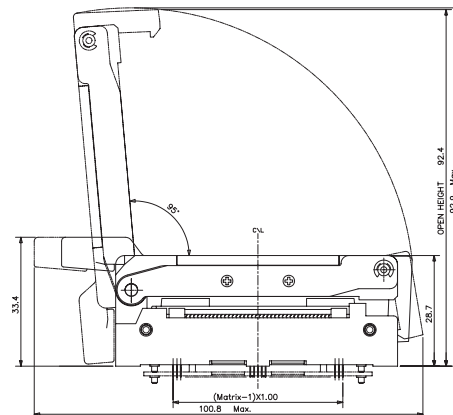
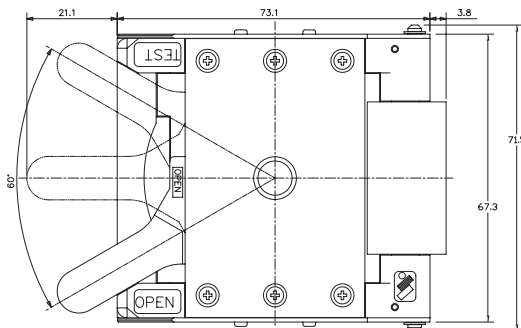
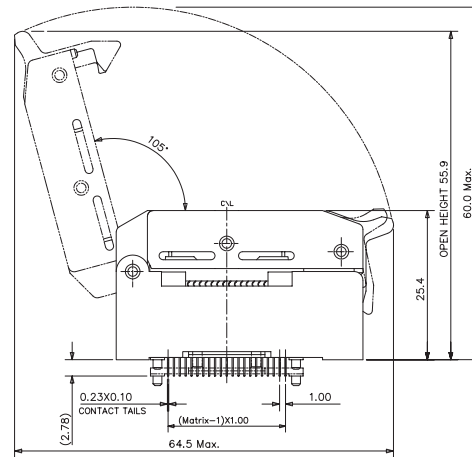
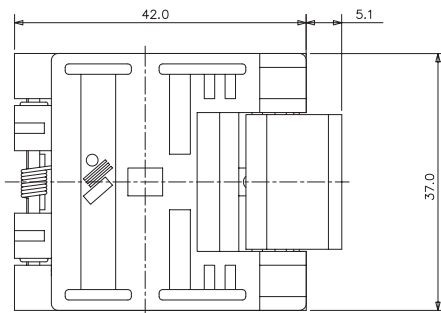
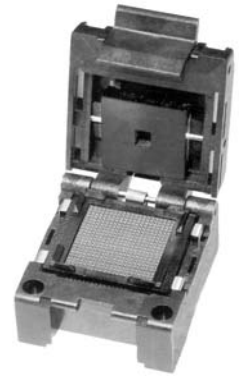
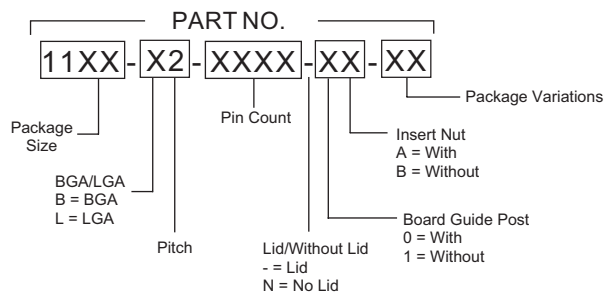


1100-2 Series 1.00mm Pitch BGA/LGA

- Clamshell design
- Through hole contact tails
- Two points of contact per solder ball
- Board mounting features
- Low normal force
- 10:1 Mechanical Advantage lid for high ball count packages available



DESCRIPTION & ORDERING INFORMATION



MATERIALS & SPECIFICATIONS

- Socket Body and Lid: PES and LCP
- Contact: BeCu, Gold over Nickel Plated
- Metal Components: Stainless Steel
(Optional Threaded Insert: Brass)
- Contact Force: 36 grams
- Contact Resistance: < 100 mΩ
- Dielectric Withstanding Voltage: 500V RMS
- Current Carrying Capability: 1.0A
- Insulation Resistance: > 1000 mΩ at 500V DC
- Temperature Rating: -55°C to +150°C
- Durability: 5,000 cycles (1 cycle - 1 load and 1 unload)



1100-2 Series 1.00mm Pitch BGA/LGA

Pitch e (mm)	Lead Count	Package Size	Matrix	Ball Dia. (mm)	Part Number	Socket Dimensions (mm)	
						Length (A)	Width (B)
1.00	24	6X8	5X5	0.46	1108-B2-0024-0A-00	37.0	47.1
	25	5X5	5X5	0.56	1105-B2-0025-0B-00	37.0	47.1
	36	17X12	11X9	0.5	1117-L2-0036-0B-00	37.0	47.1
	40	22X22	21X21	0.75	1122-L2-0040-0B-00	37.0	47.1
	48	10X12	6X8	0.55 +/- 0.05	1112-B2-0048-0B-00	37.0	47.1
	49	7.25X7.25	7X7	0.59	1107-L2-0049-0A-10	37.0	47.1
	64	8X8	8X8	0.61	1108-B2-0064-0B-00	37.0	47.1
	68	12X12	10X10	0.6	1112-L2-0068-0B-00	37.0	47.1
	68	12X12	10X10	0.6	1112-L2-0068-0B-01	37.0	47.1
	84	10X10	10X10	0.5	1110-B2-0084-0B-00	37.0	47.1
	99	12X18	9X11	0.60 +/- 0.1	1118-L2-0099-0B-00	37.0	47.1
	100	11X11	10X10	0.56	1111-B2-0100-0B-00	37.0	47.1
	100	11X11	10X10	0.52	1111-B2-0100-0B-01	37.0	47.1
	100	10X10	10X10	0.56	1110-B2-0100-0B-00	37.0	47.1
	156	15X15	14X14	0.5	1115-B2-0156-0A-00	37.0	47.1
	169	13X13	13X13	0.56	1113-B2-0169-0B-00	37.0	47.1
	169	13X13	13X13	0.4	1113-B2-0169-0B-01	37.0	47.1
	169	13X13	13X13	0.56	1113-B2-0169-0B-02	37.0	47.1
	196	15X15	14X14	0.35 - 0.65	1115-B2-0196-0A-00	37.0	47.1
	208	17X17	16X16	0.5	1117-B2-0208-0B-00	37.0	47.1
	220	21X21	20X20	0.56	1121-B2-0220-0A-00	37.0	47.1
	228	17X17	16X16	0.55	1117-L2-0228-0B-00	37.0	47.1
	256	17X17	16X16	0.5	1117-B2-0256-0B-00	37.0	47.1
	256	17X17	16X16	0.5	1117-B2-0256-0A-00	37.0	47.1
	256	17X17	16X16	0.6 +/- 0.1	1117-B2-0256-0A-01	37.0	47.1
	256	17X17	16X16	0.6 +/- 0.1	1117-B2-0256-0A-02	37.0	47.1
	256	17X17	16X16	0.6 +/- 0.1	1117-B2-0256-0B-01	37.0	47.1
	289	23X23	17X17	0.5	1123-B2-0289-0B-00	37.0	47.1
	144	12X17	911	0.4	1117-B2-0144-0A-00	52.0	71.9
	276	27X27	26X26	0.50 - 0.70	1127-B2-0276-0B-00	52.0	71.9
	324	23X23	22X22	0.50 +/- 0.1	1123-B2-0324-0B-00	52.0	71.9
	324	23X23	22X22	0.6 +/- 0.1	1123-B2-0324-0A-00	52.0	71.9
	324	23X23	22X22	0.6 +/- 0.1	1123-B2-0324-0B-01	52.0	71.9
	324	23X23	22X22	0.6 +/- 0.1	1123-B2-0324-0A-01	52.0	71.9
	324	31X31	30X30	0.63 +/- 0.13	1131-B2-0324-0A-00	52.0	71.9
	352	27X27	26X26	0.6 +/- 0.1	1127-B2-0352-0A-00	52.0	71.9
	357	37.5X37.5	37X37	0.6	1137-B2-0357-0A-10	52.0	71.9
	359	37.5X37.5	37X37	0.6	1137-B2-0359-0A-10	52.0	71.9
	360	35X35	33X33	0.50 - 0.70	1135-B2-0360-0B-00	52.0	71.9
	376	23X23	22X22	0.6	1123-B2-0376-0A-00	52.0	71.9
	388	27X27	26X26	0.6 +/- 0.1	1127-B2-0388-0A-00	52.0	71.9
	416	27X27	26X26	0.6	1127-B2-0416-0A-00	52.0	71.9
	416	31X31	30X30	0.63	1131-B2-0416-0B-00	52.0	71.9
	456	27X27	26X26	0.63	1127-B2-0456-0A-00	52.0	71.9
	456	27X27	26X26	0.63	1127-B2-0456-0A-01	52.0	71.9
	456	23X23	22X22	0.6	1123-B2-0456-0A-00	52.0	71.9
	456	23X23	22X22	0.63 +/- 0.07	1123-B2-0456-0A-01	52.0	71.9
	480	35X35	34X34	0.6	1135-B2-0480-0B-00	52.0	71.9
480	35X35	34X34	0.63 +/- 0.13	1135-B2-0480-0A-00	52.0	71.9	
484	23X23	22X22	0.6	1123-B2-0484-0A-00	52.0	71.9	
484	23X23	22X22	0.6	1123-B2-0484-0A-01	52.0	71.9	
484	23X23	22X22	0.6	1123-B2-0484-0B-00	52.0	71.9	
484	31X31	26X26	0.5	1131-B2-0484-0B-00	52.0	71.9	
487	40X40	38X38	0.6	1140-B2-0487-1B-00	52.0	71.9	

Continued on next page



1100-2 Series 1.00mm Pitch BGA/LGA

Pitch e (mm)	Lead Count	Package Size	Matrix	Ball Dia. (mm)	Part Number	Socket Dimensions (mm)	
						Length (A)	Width (B)
1.00	560	40X40	39X39	0.63	1140-B2-0560-0A-00	52.0	71.9
	576	31X31	30X30	0.6 +/- 0.1	1131-B2-0576-0A-00	52.0	71.9
	580	35X35	34X34	0.63 +/- 0.12	1135-B2-0580-0A-00	52.0	71.9
	580	35X35	34X34	0.65	1135-B2-0580-0B-00	52.0	71.9
	580	31X31	30X30	0.6 +/- 0.1	1131-B2-0580-0B-00	52.0	71.9
	604	31X31	30X30	0.6 +/- 0.1	1131-B2-0604-0A-00	52.0	71.9
	620	37.5X37.5	36X36	0.64 +/- 0.1	1137-B2-0620-0A-10	52.0	71.9
	625	27X27	25X25	0.6 +/- 0.1	1127-B2-0625-0A-00	52.0	71.9
	636	31X31	30X30	0.6 +/- 0.1	1131-B2-0636-0A-00	52.0	71.9
	640	31X31	30X30	0.6 +/- 0.1	1131-B2-0640-0A-00	52.0	71.9
	672	27X27	26X26	0.6 +/- 0.1	1127-B2-0672-0A-00	52.0	71.9
	672	35X35	34X34	0.55	1135-B2-0672-0A-00	52.0	71.9
	676	27X27	26X26	0.6	1127-B2-0676-0B-00	52.0	71.9
	676	27X27	26X26	0.6	1127-B2-0676-0A-00	52.0	71.9
	676	27X27	26X26	0.63	1127-B2-0676-0A-01	52.0	71.9
	676	27X27	26X26	0.6	1127-B2-0676-0B-01	52.0	71.9
	676	27X27	26X26	0.5	1127-L2-0676-0B-00	52.0	71.9
	676	31X31	30X30	0.6	1131-B2-0676-0A-00	52.0	71.9
	680	35X35	34X34	0.64	1135-B2-0680-0B-00	52.0	71.9
	680	40X40	39X39	0.63	1140-B2-0680-0A-00	52.0	71.9
	680	40X40	39X39	0.6	1140-B2-0680-0A-01	52.0	71.9
	680	35X35	34X34	0.6	1135-B2-0680-0A-00	52.0	71.9
	680	35X35	34X34	0.64	1135-B2-0680-0B-01	52.0	71.9
	680	35X35	34X34	0.6	1135-B2-0680-0A-01	52.0	71.9
	688	35X35	34X34	0.6	1135-B2-0688-0A-00	52.0	71.9
	692	31X31	30X30	0.6 +/- 0.1	1131-B2-0692-0A-00	52.0	71.9
	701	31X31	30X30	0.6 +/- 0.1	1131-B2-0701-0A-00	52.0	71.9
	708	35X35	34X34	0.6	1135-B2-0708-0A-00	52.0	71.9
	728	40X40	38X38	0.65 +/- 0.03	1140-B2-0728-0A-00	52.0	71.9
	740	35X35	34X34	0.65 +/- 0.1	1135-B2-0740-0A-00	52.0	71.9
	768	40X40	38X38	0.6 +/- 0.1	1140-B2-0768-0A-00	52.0	71.9
	788	35X35	34X34	0.6	1135-B2-0788-0A-00	52.0	71.9
	792	40X40	39X39	0.6	1140-B2-0792-0A-00	52.0	71.9
	792	40X40	39X39	0.6	1140-B2-0792-0A-01	52.0	71.9
	801	35X35	34X34	0.6 +/- 0.1	1135-B2-0801-0A-00	52.0	71.9
	812	37.5X37.5	36X36	0.63	1137-B2-0812-0A-10	52.0	71.9
	816	35X35	34X34	0.6	1135-B2-0816-0A-00	52.0	71.9
	824	37.5X37.5	36X36	0.6 +/- 0.1	1137-B2-0824-0A-10	52.0	71.9
	829	31X31	29X29	0.63 +/- 0.1	1131-B2-0829-0A-00	52.0	71.9
	840	37.5X37.5	36X36	0.6 +/- 0.1	1137-B2-0840-0A-10	52.0	71.9
	840	31X31	29X29	0.7 +/- 0.05	1131-B2-0840-0A-00	52.0	71.9
	840	31X31	29X29	0.7 +/- 0.05	1131-B2-0840-0A-01	52.0	71.9
854	40X40	39X39	0.6	1140-B2-0854-0A-00	52.0	71.9	
896	31X31	30X30	0.60 +/- 0.1	1131-B2-0896-0A-00	52.0	71.9	
896	31X31	30X30	0.63 +/- 0.07-0.13	1131-B2-0896-0A-01	52.0	71.9	
899	31X31	30X30	0.6 +/- 0.1	1131-B2-0899-0A-00	52.0	71.9	
900	31X31	30X30	0.60 +/- 0.1	1131-B2-0900-0B-00	52.0	71.9	
901	37.5X37.5	36X36	0.6	1137-B2-0901-0A-10	52.0	71.9	
937	33X33	31X31	0.711 +/- 0.05	1133-B2-0937-0A-00	52.0	71.9	
956	35X35	34X34	0.6 +/- 0.1	1135-B2-0956-0A-00	52.0	71.9	
956	35X35	34X34	0.6 +/- 0.1	1135-B2-0956N0A-00	52.0	71.9	
980	35X35	32X32	0.508	1135-L2-0980-0B-00	52.0	71.9	
992	40X40	39X39	0.6 +/- 0.1	1140-B2-0992-0A-00	52.0	71.9	
993	40X40	39X39	0.6 +/- 0.1	1140-B2-0993N0B-00	52.0	71.9	

Continued on next page



1100-2 Series 1.00mm Pitch BGA/LGA

Pitch e (mm)	Lead Count	Package Size	Matrix	Ball Dia. (mm)	Part Number	Socket Dimensions (mm)	
						Length (A)	Width (B)
1.00	1012	40X40	38X38	0.6	1140-B2-1012-0A-00	52.0	71.9
	1012	40X40	38X38	0.63	1140-B2-1012-0B-00	52.0	71.9
	1140	40X40	39X39	0.6	1140-B2-1140-0A-00	52.0	71.9
	1144	35X35	34X34	0.7	1135-L2-1144-0A-00	52.0	71.9
	1152	35X35	34X34	0.6	1135-B2-1152-0A-00	52.0	71.9
	1152	35X35	34X34	0.64	1135-B2-1152-0A-01	52.0	71.9
	1152	35X35	34X34	0.63	1135-B2-1152-0A-02	52.0	71.9
	1156	35X35	34X34	0.6	1135-B2-1156-0B-00	52.0	71.9
	1156	35X35	34X34	0.6	1135-B2-1156-0A-00	52.0	71.9
	1156	35X35	34X34	0.6	1135-B2-1156-0A-01	52.0	71.9
	1156	35X35	34X34	0.6 +/- 0.1	1135-B2-1156-0B-01	52.0	71.9
	1157	40X40	39X39	0.64 +/- 0.1	1140-B2-1157-0A-00	52.0	71.9
	1296	37.5X37.5	36X36	0.60 +/- 0.1	1137-B2-1296-0A-10	52.0	71.9
	1296	37.5X37.5	36X36	0.6 +/- 0.1	1137-B2-1296-0A-11	52.0	71.9
	1296	37.5X37.5	36X36	0.6 +/- 0.1	1137-B2-1296-0B-10	52.0	71.9
	1309	40X40	39X39	0.6	1140-B2-1309N0A-00	52.0	71.9
	1413	40X40	39X39	0.6 +/- 0.1	1140-B2-1413-0A-00	52.0	71.9
	1417	40X40	39X39	0.6	1140-B2-1417-0B-00	52.0	71.9
	1428	40X40	39X39	0.6	1140-B2-1428-0A-00	52.0	71.9
	1444	4X040	38X38	0.60 +/- 0.03	1140-B2-1444-0B-00	52.0	71.9
	1517	40X40	39X39	0.6	1140-B2-1517-0A-00	52.0	71.9
	1520	40X40	39X39	0.5	1140-B2-1520-0B-00	52.0	71.9
	836	42.5X42.5	41X41	0.63	1142-B2-0836-0A-10	65.3	98.0
	840	42.5X42.5	41X41	0.6	1142-B2-0840-0A-10	65.3	98.0
	1036	45X45	44X44	0.6 +/- 0.1	1145-B2-1036-0A-00	65.3	98.0
	1125	42.5X42.5	41X41	0.6 +/- 0.1	1142-B2-1125-0A-10	65.3	98.0
	1144	35X35	34X34	0.7 +/- 0.1	1135-L2-1144-0A-00	65.3	98.0
	1517	40X40	39X39	0.6 +/- 0.1	1140-B2-1517-0A-00	65.3	98.0
	1521	40X40	39X39	0.50 - 0.70	1140-B2-1521-0A-00	65.3	98.0
	1932	45X45	44X44	0.64	1145-B2-1932-0A-00	65.3	98.0