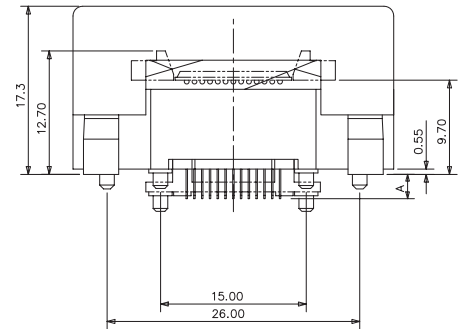
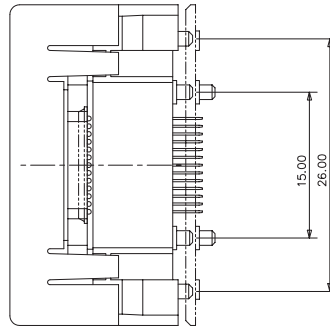
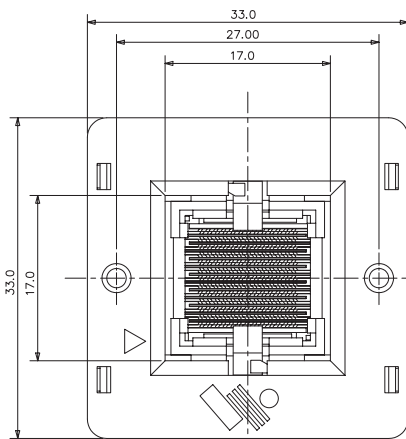
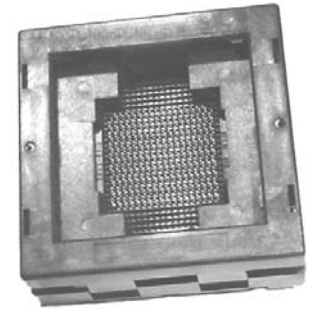
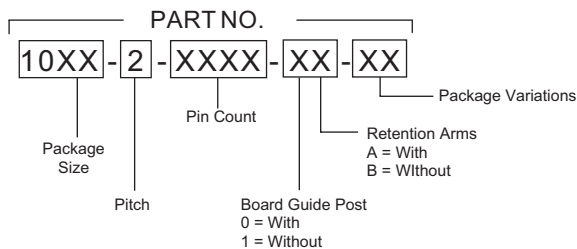


1000-2 Series 1.00mm Pitch FBGA

- Open top, vertically actuated
- Pinch and scrub contact system
- Dual moving beams per contact
- Two points of contact per solder ball
- Board mounting features
- Through hole contact
- Maintains package position for ease of handler programming



DESCRIPTION & ORDERING INFORMATION



MATERIALS & SPECIFICATIONS

- Socket Body and Lid: PES and LCP
- Contact: BeCu, Gold over Nickel Plated
- Metal Components: Stainless Steel
- Contact Force: 17 grams for 0.6mm dia. solder ball;
14g for 0.5mm dia. solder ball
- Actuation Force: 5Kg for full grid
- Contact Resistance: < 50 mΩ
- Dielectric Withstanding Voltage: 500V RMS
- Current Carrying Capability: 1.0A
- Insulation Resistance: > 1000 mΩ at 100V DC
- Temperature Rating: -55°C to +150°C
- Durability: 10,000 cycles (1 cycle - 1 load and 1 unload)



1000-2 Series 1.00mm Pitch FBGA

Pitch e (mm)	Lead Count	Package Size	Matrix	Ball Dia. (mm)	Part Number	Socket Dimensions (mm)		
						Length (A)	Width (B)	Height (C)
1.00	36	12X17	9X11	0.40 +/- 0.10	1017-2-0036-0B-00	33.0	33.0	16.5
	36	6X6	6X6	0.53	1006-2-0036-0B-00	33.0	33.0	16.5
	44	12X10	8X8	0.45 +/- 0.05	1012-2-0044-0B-00	33.0	33.0	16.5
	44	12X10	8X8	0.45 +/- 0.05	1012-2-0044-0A-00	33.0	33.0	16.5
	44	12X10	8X8	0.45 +/- 0.05	1012-2-0044-0A-01	33.0	33.0	16.5
	44	10X12	8X8	0.45	1012-2-0044-0B-01	33.0	33.0	16.5
	44	18X12	8X8	0.45 +/- 0.05	1018-2-0044-0B-00	33.0	33.0	16.5
	44	18X12	8X8	0.45 +/- 0.05	1018-2-0044-0B-01	33.0	33.0	16.5
	48	10X12	6X8	0.50 +/- 0.05	1012-2-0048-0B-00	33.0	33.0	16.5
	48	17.65X5	12X4	0.6 3 +/- 0.1	1017-2-0048-0B-10	33.0	33.0	16.5
	56	18X12	14X8	0.45 +/- 0.05	1018-2-0056-0A-00	33.0	33.0	16.5
	56	18X12	14X8	0.45 +/- 0.05	1018-2-0056-0B-00	33.0	33.0	16.5
	63	15X12	12X8	0.5 +/- 0.05	1015-2-0063-0B-00	33.0	33.0	16.5
	64	15X12	12X8	0.5 +/- 0.05	1015-2-0064-0B-00	33.0	33.0	16.5
	64	13X10	8X8	0.45 +/- 0.05	1013-2-0064-0B-00	33.0	33.0	16.5
	74	12X12	11X11	0.60 +/- 0.1	1012-2-0074-0B-00	33.0	33.0	16.5
	74	12X12	11X11	0.6	1012-2-0074-0B-01	33.0	33.0	16.5
	74	12X12	11X11	0.6	1012-2-0074-0B-02	33.0	33.0	16.5
	100	11X11	10X10	0.43	1011-2-0100-0B-00	33.0	33.0	16.5
	100	11X11	10X10	0.6	1011-2-0100-0B-01	33.0	33.0	16.5
	100	11X11	10X10	0.45 +/- 0.05	1011-2-0100-0B-02	33.0	33.0	16.5
	117	13X13	12X12	0.5 +/- 0.1	1013-2-0117-0B-00	33.0	33.0	16.5
	117	14X10	13X9	0.6 +/- 0.1	1014-2-0117-0B-00	33.0	33.0	16.5
	121	12X12	11X11	0.6 +/- 0.1	1012-2-0121-0B-00	33.0	33.0	16.5
	127	13X13	12X12	0.635 +/- 0.05	1013-2-0127-0B-00	33.0	33.0	16.5
	132	13X13	12X12	0.5 +/- 0.1	1013-2-0132-0B-00	33.0	33.0	16.5
	132	13X13	12X12	0.5 +/- 0.15	1013-2-0132-0B-01	33.0	33.0	16.5
	143	15X15	14X14	0.5	1015-2-0143-0B-00	33.0	33.0	16.5
	144	13X13	12X12	0.5 +/- 0.1	1013-2-0144-0B-00	33.0	33.0	16.5
	144	15X15	13X13	0.5 +/- 0.05	1015-2-0144-0B-00	33.0	33.0	16.5
	144	15X15	13X13	0.5 +/- 0.05	1015-2-0144-0A-00	33.0	33.0	16.5
	144	15X15	13X13	0.5 +/- 0.05	1015-2-0144-0A-01	33.0	33.0	16.5
	156	15X15	14X14	0.5 +/- 0.1	1015-2-0156-0A-00	33.0	33.0	16.5
	160	15X15	14X14	0.53	1015-2-0160-0B-00	33.0	33.0	16.5
	172	15X15	14X14	0.45	1015-2-0172-0B-00	33.0	33.0	16.5
	172	15X15	14X14	0.45	1015-2-0172-0A-00	33.0	33.0	16.5
	172	15X15	14X14	0.45	1015-2-0172-0A-01	33.0	33.0	16.5
	181	17X17	15X15	0.5 +/- 0.05	1017-2-0181-0B-00	33.0	33.0	16.5
	181	17X17	15X15	0.5 +/- 0.05	1017-2-0181-0B-01	33.0	33.0	16.5
	192	17X17	16X16	0.5 +/- 0.05	1017-2-0192-0B-00	33.0	33.0	16.5
192	17X17	16X16	0.6	1017-2-0192-0B-01	33.0	33.0	16.5	
196	15X15	14X14	0.50 - 0.70	1015-2-0196-0B-00	33.0	33.0	16.5	
196	15X15	14X14	0.45 - 0.55	1015-2-0196-0B-01	33.0	33.0	16.5	
196	15X15	14X14	0.5 +/- 0.05	1015-2-0196-0A-00	33.0	33.0	16.5	
208	17X17	16X16	0.6 +/- 0.1	1017-2-0208-0B-00	33.0	33.0	16.5	
208	17X17	16X16	0.6 +/- 0.1	1017-2-0208-0B-01	33.0	33.0	16.5	
208	17X17	16X16	0.6 +/- 0.1	1017-2-0208-0B-02	33.0	33.0	16.5	
224	17X15	16X14	0.5 +/- 0.1	1017-2-0224-0B-00	33.0	33.0	16.5	
228	17X17	16X16	0.6 +/- 0.1	1017-2-0228-0B-00	33.0	33.0	16.5	
228	17X17	16X16	0.5 +/- 0.1	1017-2-0228-0B-01	33.0	33.0	16.5	
244	17X17	16X16	0.6 +/- 0.1	1017-2-0244-0B-00	33.0	33.0	16.5	
252	17X17	16X16	0.5 +/- 0.1	1017-2-0252-0B-00	33.0	33.0	16.5	
252	17X17	16X16	0.5 +/- 0.1	1017-2-0252-0B-01	33.0	33.0	16.5	
255	17X17	16X16	0.6 +/- 0.1	1017-2-0255-0B-00	33.0	33.0	16.5	
256	17X17	16X16	0.40 - 0.60	1017-2-0256-0B-00	33.0	33.0	16.5	
256	17X17	16X16	0.6 +/- 0.1	1017-2-0256-0B-01	33.0	33.0	16.5	
256	17X17	16X16	0.45 +/- 0.1	1017-2-0256-0A-00	33.0	33.0	16.5	

Continued on next page



1000-2 Series 1.00mm Pitch FBGA

Pitch e (mm)	Lead Count	Package Size	Matrix	Ball Dia. (mm)	Part Number	Socket Dimensions (mm)		
						Length (A)	Width (B)	Height (C)
1.00	289	19X18	17X17	0.5	1019-2-0289-0B-00	33.0	33.0	16.5
	289	18X18	17X17	0.6 +/- 0.1	1018-2-0289-0B-00	33.0	33.0	16.5
	93	19X19	18X18	0.6 +/- 0.1	1019-2-0093-0B-00	45.0	45.0	16.5
	116	16X13	15X12	0.5 +/- 0.05	1016-2-0116-0B-00	45.0	45.0	16.5
	117	10X14	9X13	0.6	1014-2-0117-0B-00	45.0	45.0	16.5
	123	23X23	22X22	0.6 3+/- 0.1	1023-2-0123-0B-00	45.0	45.0	16.5
	144	10X10	12X12	0.5 +/- 0.05	1010-2-0144-0B-00	45.0	45.0	16.5
	159	19X19	18X18	0.65 +/- 0.01	1019-2-0159-0B-00	45.0	45.0	16.5
	181	17X17	15X15	0.5 +/- 0.05	1017-2-0181-0B-00	45.0	45.0	16.5
	196	23X23	22X22	0.6 +/- 0.05	1023-2-0196-0B-00	45.0	45.0	16.5
	197	27X27	26X26	0.6 +/- 0.1	1027-2-0197-0B-00	45.0	45.0	16.5
	209	22X14	19X11	0.6	1022-2-0209-0B-00	45.0	45.0	16.5
	209	17X23	11X19	0.6	1023-2-0209-0B-00	45.0	45.0	16.5
	239	19X19	18X18	0.6	1019-2-0239-0B-00	45.0	45.0	16.5
	256	19X19	18X18	0.5	1019-2-0256-0B-00	45.0	45.0	16.5
	256	17X17	16X16	0.40 - 0.60	1017-2-0256-0B-00	45.0	45.0	16.5
	259	19X19	18X18	0.457	1019-2-0259-0B-00	45.0	45.0	16.5
	260	19X19	18X18	0.5 +/- 0.05	1019-2-0260-0B-00	45.0	45.0	16.5
	260	19X19	18X18	0.53 +/- 0.15	1019-2-0260-0B-01	45.0	45.0	16.5
	270	19X19	17X17	0.5	1019-2-0270-0B-00	45.0	45.0	16.5
	270	27X27	26X26	0.6 +/- 0.1	1027-2-0270-0B-00	45.0	45.0	16.5
	276	19X19	18X18	0.6 +/- 0.1	1019-2-0276-0B-00	45.0	45.0	16.5
	276	27X27	26X26	0.50 - 0.70	1027-2-0276-0B-00	45.0	45.0	16.5
	276	27X27	26X26	0.50 - 0.70	1027-2-0276-0B-01	45.0	45.0	16.5
	288	19X19	18X18	0.43	1019-2-0288-1B-00	45.0	45.0	16.5
	288	19X19	18X18	0.43	1019-2-0288-0B-00	45.0	45.0	16.5
	288	23X23	22X22	0.50 - 0.70	1023-2-0288-0B-00	45.0	45.0	16.5
	289	19X19	17X17	0.5	1019-2-0289-0B-00	45.0	45.0	16.5
	305	19X19	18X18	0.5 +/- 0.1	1019-2-0305-0B-00	45.0	45.0	16.5
	305	19X19	18X18	0.5 +/- 0.1	1019-2-0305-0A-00	45.0	45.0	16.5
	305	19X19	18X18	0.5 +/- 0.1	1019-2-0305-0B-01	45.0	45.0	16.5
	316	21X21	20X20	0.46 +/- 0.05	1021-2-0316-0A-00	45.0	45.0	16.5
	321	19X19	18X18	0.6 +/- 0.05	1019-2-0321-0B-00	45.0	45.0	16.5
	324	19X19	18X18	0.50 +/- 0.05	1019-2-0324-0B-00	45.0	45.0	16.5
	324	19X19	18X18	0.6	1019-2-0324-0B-01	45.0	45.0	16.5
	324	19X19	18X18	0.6	1019-2-0324-0B-02	45.0	45.0	16.5
	324	23X23	22X22	0.49 - 0.51	1023-2-0324-0B-00	45.0	45.0	16.5
	324	23X23	22X22	0.6 +/- 0.1	1023-2-0324-0B-01	45.0	45.0	16.5
	352	27X27	26X26	0.6	1027-2-0352-0B-00	45.0	45.0	16.5
	352	27X27	26X26	0.6	1027-2-0352-0A-00	45.0	45.0	16.5
	352	27X27	26X26	0.60 +/- 0.1	1027-2-0352-0B-01	45.0	45.0	16.5
354	21X21	20X20	0.6	1021-2-0354-0B-00	45.0	45.0	16.5	
361	21X21	19X19	0.5	1021-2-0361-0B-00	45.0	45.0	16.5	
364	21X21	20X20	0.5 +/- 0.1	1021-2-0364-0B-00	45.0	45.0	16.5	
364	21X21	20X20	0.6 +/- 0.1	1021-2-0364-0B-01	45.0	45.0	16.5	
376	23X23	22X22	0.6 +/- 0.1	1023-2-0376-0B-00	45.0	45.0	16.5	
380	25X25	24X24	0.60 - 0.65	1025-2-0380-0B-00	45.0	45.0	16.5	
388	27X27	26X26	0.50 - 0.70	1027-2-0388-0B-00	45.0	45.0	16.5	
388	27X27	26X26	0.50 - 0.70	1027-2-0388-1B-00	45.0	45.0	16.5	
388	27X27	26X26	0.50 - 0.70	1027-2-0388-0B-01	45.0	45.0	16.5	
388	27X27	26X26	0.6	1027-2-0388-0B-02	45.0	45.0	16.5	
396	23X23	22X22	0.6 +/- 0.1	1023-2-0396-0B-00	45.0	45.0	16.5	
399	21X21	20X20	.06 +/- 0.1	1021-2-0399-0B-00	45.0	45.0	16.5	
416	27X27	26X26	0.58 - 0.64	1027-2-0416-0B-00	45.0	45.0	16.5	

Continued on next page



1000-2 Series 1.00mm Pitch FBGA

Pitch e (mm)	Lead Count	Package Size	Matrix	Ball Dia. (mm)	Part Number	Socket Dimensions (mm)		
						Length (A)	Width (B)	Height (C)
1.00	420	23X23	22X22	0.6 +/- 0.1	1023-2-0420-0B-00	45.0	45.0	16.5
	448	23X23	22X22	0.63 +/- 0.1	1023-2-0448-0B-00	45.0	45.0	16.5
	452	27X27	26X26	0.63	1027-2-0452-0A-00	45.0	45.0	16.5
	456	23X23	22X22	0.6 +/- 0.1	1023-2-0456-1B-00	45.0	45.0	16.5
	456	23X23	22X22	0.6 +/- 0.1	1023-2-0456-0B-00	45.0	45.0	16.5
	456	23X23	22X22	0.50 - 0.70	1023-2-0456-0B-01	45.0	45.0	16.5
	481	27X27	26X26	0.6 +/- 0.1	1027-2-0481-0B-00	45.0	45.0	16.5
	484	23X23	22X22	0.50 +/- 0.15	1023-2-0484-0B-00	45.0	45.0	16.5
	484	23X23	22X22	0.6	1023-2-0484-0B-01	45.0	45.0	16.5
	484	23X23	22X22	0.45 +/- 0.05	1023-2-0484-0A-00	45.0	45.0	16.5
	484	23X23	22X22	0.6 +/- 0.1	1023-2-0484-0A-01	45.0	45.0	16.5
	484	23X23	22X22	0.45 +/- 0.05	1023-2-0484-0A-02	45.0	45.0	16.5
	484	27X27	26X26	0.6	1027-2-0484-0B-00	45.0	45.0	16.5
	516	27X27	26X26	0.6 +/- 0.1	1027-2-0516-0B-00	45.0	45.0	16.5
	544	27X27	26X26	0.6 +/- 0.1	1027-2-0544-0B-00	45.0	45.0	16.5
	672	27X27	26X26	0.6 +/- 0.1	1027-2-0672-0B-00	45.0	45.0	16.5
	672	27X27	26X26	0.6	1027-2-0672-1B-00	45.0	45.0	16.5
	672	27X27	26X26	0.5	1027-2-0672-0B-01	45.0	45.0	16.5
	675	27X27	26X26	0.6 +/- 0.1	1027-2-0675-0B-00	45.0	45.0	16.5
	675	27X27	26X26	0.50 - 0.70	1027-2-0675-0B-01	45.0	45.0	16.5
	676	27X27	26X26	0.6 +/- 0.1	1027-2-0676-1B-00	45.0	45.0	16.5
	676	27X27	26X26	0.6 +/- 0.1	1027-2-0676-0B-00	45.0	45.0	16.5
	676	27X27	26X26	0.5	1027-2-0676-0B-01	45.0	45.0	16.5
	676	27X27	26X26	0.6	1027-2-0676-0B-02	45.0	45.0	16.5
	676	27X27	26X26	0.6 +/- 0.1	1027-2-0676-0B-03	45.0	45.0	16.5
	676	27X27	26X26	0.6 +/- 0.1	1027-2-0676-0A-00	45.0	45.0	16.5
	434	35X35	34X34	0.6 +/- 0.1	1035-2-0434-0B-00	62.0	62.0	24.0
	500	31X31	30X30	0.6 +/- 0.1	1031-2-0500-0B-00	62.0	62.0	24.0
	680	35X35	34X34	0.6 +/- 0.1	1035-2-0680-0B-00	62.0	62.0	24.0
	751	35X35	34X34	0.6 +/- 0.1	1035-2-0751-0B-00	62.0	62.0	24.0
	772	35X35	34X34	0.6 +/- 0.1	1035-2-0772-0B-00	62.0	62.0	24.0
	773	35X35	34X34	0.6 +/- 0.1	1035-2-0773-0B-00	62.0	62.0	24.0
	780	29X29	28X28	0.6 +/- 0.1	1029-2-0780-0B-00	62.0	62.0	24.0
	783	29X29	28X28	0.6 +/- 0.1	1029-2-0783-0B-00	62.0	62.0	24.0
	784	31X31	30X30	0.66	1031-2-0784-0B-00	62.0	62.0	24.0
	812	37.5X37.5	36X36	0.6 +/- 0.1	1037-2-0812-0B-10	62.0	62.0	24.0
	829	31X31	29X29	0.63 +/- 0.1	1031-2-0829-0B-00	62.0	62.0	24.0
	840	31X31	29X29	0.7	1031-2-0840-0B-00	62.0	62.0	24.0
	868	40X40	38X38	0.6 +/- 0.08	1040-2-0868-0A-00	62.0	62.0	24.0
	899	31X31	30X30	0.6 +/- 0.1	1031-2-0899-0B-00	62.0	62.0	24.0
	960	33X33	31X31	0.6 +/- 0.1	1033-2-0960-0B-00	62.0	62.0	24.0
	993	40X40	39X39	0.6 +/- 0.1	1040-2-0993-0B-00	62.0	62.0	24.0
	1020	33X33	32X32	0.63	1033-2-1020-0B-00	62.0	62.0	24.0
	1024	33X33	32X32	0.6 +/- 0.1	1033-2-1024-0B-00	62.0	62.0	24.0
	1152	35X35	34X34	0.6 +/- 0.1	1035-2-1152-1B-00	62.0	62.0	24.0
1152	35X35	34X34	0.6 +/- 0.1	1035-2-1152-0B-00	62.0	62.0	24.0	
1152	35X35	34X34	0.6 +/- 0.1	1035-2-1152-0A-00	62.0	62.0	24.0	
1156	35X35	34X34	0.6 +/- 0.1	1035-2-1156-0B-00	62.0	62.0	24.0	
1292	37.5X37.5	36X36	0.6 +/- 0.1	1037-2-1292-0B-10	62.0	62.0	24.0	
1309	40X40	39X39	0.6 +/- 0.1	1040-2-1309-0B-00	62.0	62.0	24.0	
1369	39X39	37X37	0.6 +/- 0.1	1039-2-1369-0B-00	62.0	62.0	24.0	
1369	39X39	37X37	0.6 +/- 0.1	1039-2-1369-0B-01	62.0	62.0	24.0	
1517	40X40	39X39	0.6 +/- 0.1	1040-2-1517-0B-00	62.0	62.0	24.0	