

## 681 Series ZIF IPGA Socket

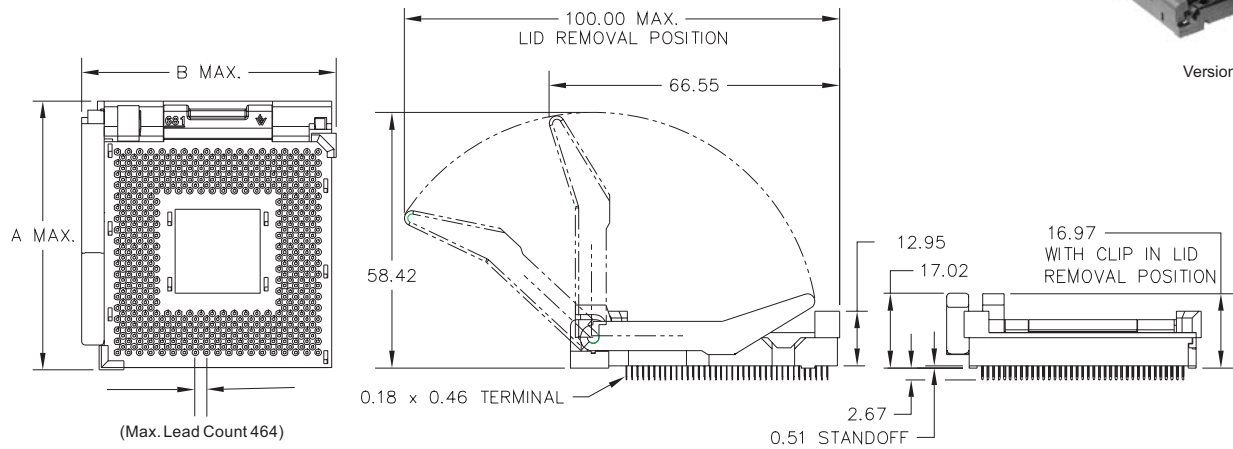
- Zero Insertion Force with normally closed contacts
- Horizontal and vertical detents allow positive handle locations
- Chamfered lead-in area for easy insertion of IC contacts
- Keyed hole plug available for device orientation
- Heat sink option available with thermal transfer interface



Version 681

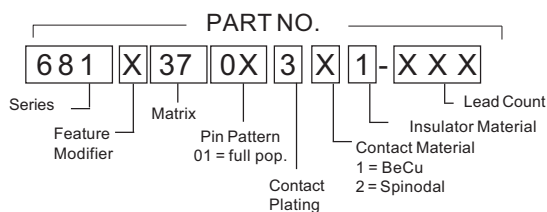


Version 681S



Pitch e (mm)	Matrix Size (mm)	Socket Dimensions (mm)			Part Number
		Length (A)	Width (B)	Height (C)	
1.27	37 X 37	61.88	58.93	17.02	681X370X3X1-370
1.27	37 X 37	61.88	58.93	17.02	681K3702311-391
1.27	37 X 37	61.88	58.93	17.02	681X370X3X1-462

### DESCRIPTION & ORDERING INFORMATION



### MATERIALS & SPECIFICATIONS

- Socket Body: PES or Equivalent
- Contact: Beryllium Copper Alloy or Spinodal
- Contact Plating: Gold over Nickel
- Contact Normal Force: 20 grams
- Contact Resistance: 35 mΩ
- Dielectric: 600V AC for 2 minutes
- Temperature Rating: 150°C
- Current Rating: 1.5 Amps
- Durability: 10,000 cycles min.